

SNC Medium Voltage Control Transformers

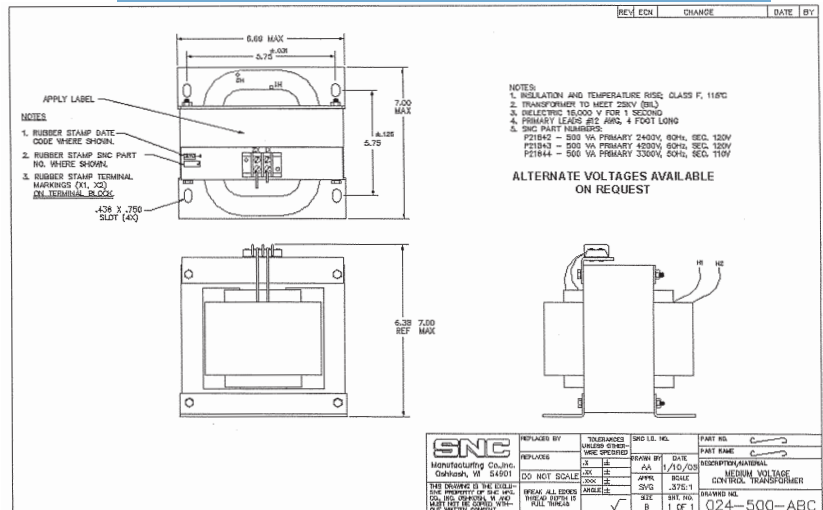
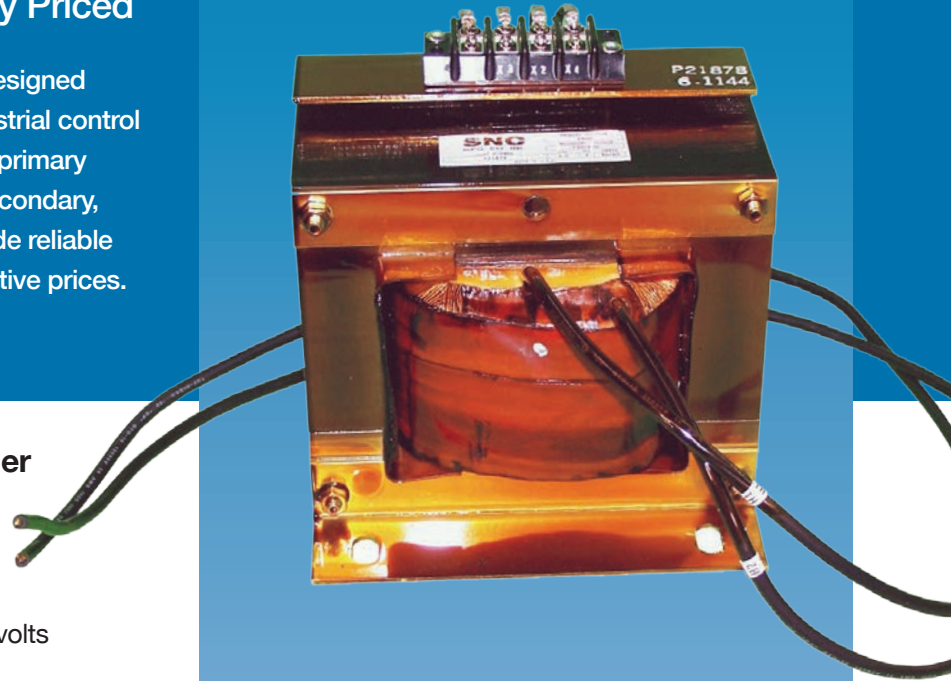
Reliable ... Rugged ... Competitively Priced

SNC Medium Voltage Control Transformers are designed and constructed to address the demands of industrial control applications. Engineered with a medium voltage primary and either a 120 VAC, 60 Hz or 110 VAC, 50 Hz secondary, SNC Medium Voltage Control Transformers provide reliable performance under rugged conditions at competitive prices.

SNC Medium Voltage Control Transformer Features

- 50 Hz and 60 Hz designs available
- 500VA through 5 KVA
- Any combination of secondary voltages over 110 volts
- Primary voltage from 2,400 volts to 7,200 volts
- 180° C insulations system. 115° C temperature rise under full load
- 25 KV BIL for primary voltages up to 5 KV, 35 KV BIL for primary voltages over 5 KV to 7.2 KV
- Standard 48" leads on primary, terminal block connections on secondary
- Offered in six voltage combinations to meet variety of application needs

SNC can provide a variety of Medium Voltage Control Transformers ranging from liquid-filled, conventional dry-type and cast coil designs.



To download engineering drawings, visit the Medium Voltage Control Transformers page at:

www.sncmf.com



SNC Manufacturing Co., Inc.

"The Transformer Specialists"

SNC Medium Voltage Control Transformers

2,400 volt primary – 120 volt secondary, 60 Hz

VA	Part No.	Model No.	Overall Dimensions-Inches			Mounting Dimensions-Inches		Slot Size	Approx. Weight (lbs.)
			Height	Width	Depth	Across Width	Across Depth		
500	P21842	024-500-A	7.00	6.69	7.00	5.75	5.75	.438 x .750	20.76
1,000	P21847	015-1000-A	7.00	6.75	7.38	5.75	5.75	.438 x .750	31.44
2,000	P21852	075-2000-A	7.75	7.50	8.50	5.75	5.75	.438 x .750	49.44

4,200 volt primary – 120 volt secondary, 60 Hz

VA	Part No.	Model No.	Overall Dimensions-Inches			Mounting Dimensions-Inches		Slot Size	Approx. Weight (lbs.)
			Height	Width	Depth	Across Width	Across Depth		
500	P21843	024-500-B	7.00	6.69	7.00	5.75	5.75	.438 x .750	25.93
1,000	P21848	015-1000-B	7.00	6.75	7.38	5.75	5.75	.438 x .750	35.91
2,000	P21853	075-2000-B	7.75	7.50	8.50	5.75	5.75	.438 x .750	48.60

7,200 volt primary – 120 volt secondary, 60 Hz

VA	Part No.	Model No.	Overall Dimensions-Inches			Mounting Dimensions-Inches		Slot Size	Approx. Weight (lbs.)
			Height	Width	Depth	Across Width	Across Depth		
500	P21845	124-500-A	11.50	9.00	7.50	8.00	5.75	.438 x .750	46.82
1000	P21850	115-1000-A	11.50	9.00	7.50	8.00	5.75	.438 x .750	48.24
2000	P21854	175-2000-A	11.50	9.00	9.50	8.00	5.75	.438 x .750	69.74

3,300 volt primary – 110 volt secondary, 50 Hz

VA	Part No.	Model No.	Overall Dimensions-Inches			Mounting Dimensions-Inches		Slot Size	Approx. Weight (lbs.)
			Height	Width	Depth	Across Width	Across Depth		
500	P21844	024-500-C	7.00	6.69	7.00	5.75	5.75	.438 x .750	20.83
1000	P21849	015-1000-C	7.00	6.75	7.38	5.75	5.75	.438 x .750	35.35

6,600 volt primary – 110 volt secondary, 50 Hz

VA	Part No.	Model No.	Overall Dimensions-Inches			Mounting Dimensions-Inches		Slot Size	Approx. Weight (lbs.)
			Height	Width	Depth	Across Width	Across Depth		
500	P21846	124-500-B	11.50	9.00	7.50	8.00	5.75	.438 x .750	48.70
1000	P21851	115-1000-B	11.50	9.00	7.50	8.00	5.75	.438 x .750	47.83
2000	P21855	175-2000-B	11.50	9.00	9.50	8.00	5.75	.438 x .750	69.85

Primary/Secondary voltage combinations shown for existing product designs. For "off-voltage" applications, contact SNC Manufacturing Co. to discuss your custom design requirements.

To learn more about how our custom designed Medium Voltage Control Transformers could benefit your company's production process, contact SNC today.



SNC Manufacturing Co., Inc.

101 West Waukau Avenue, Oshkosh, WI 54902-7902
 Phone: 920-231-7370 • Fax: 920-231-1090 • Toll-Free: 800-558-3325
 Email: oem@sncmfg.com • Website: www.sncmfg.com